

# Odyssey 365ST/STX Console Long & Short Shaft

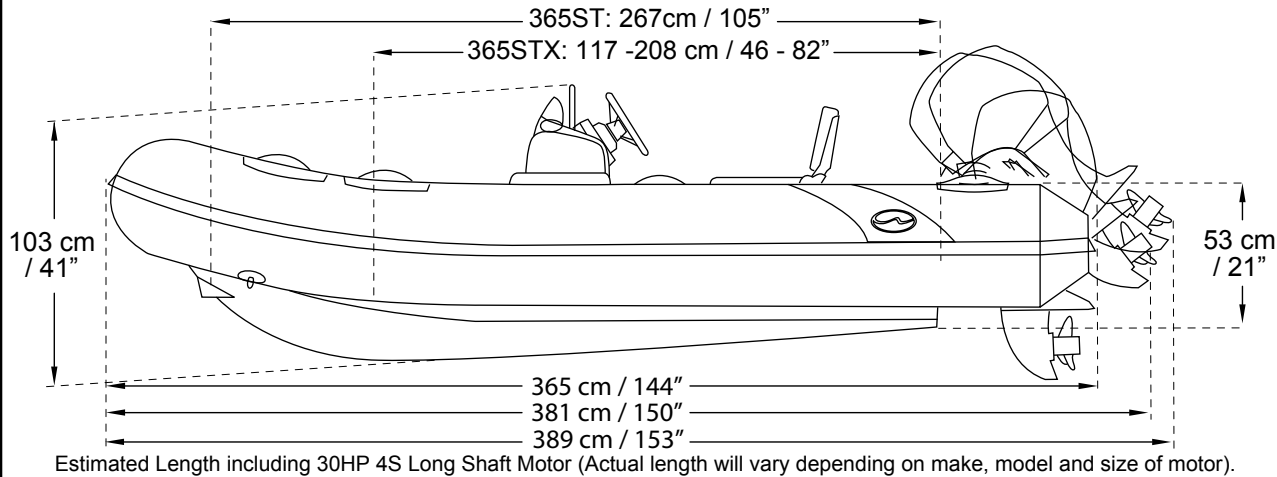
365ST Console Long Shaft Shown

## DAVIT LIFTING & CHOCKS

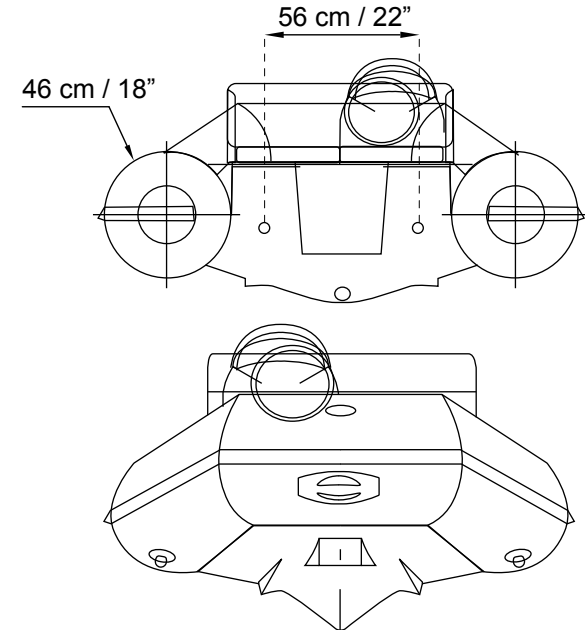


WALKER BAY

### Distance Between Lifting Points

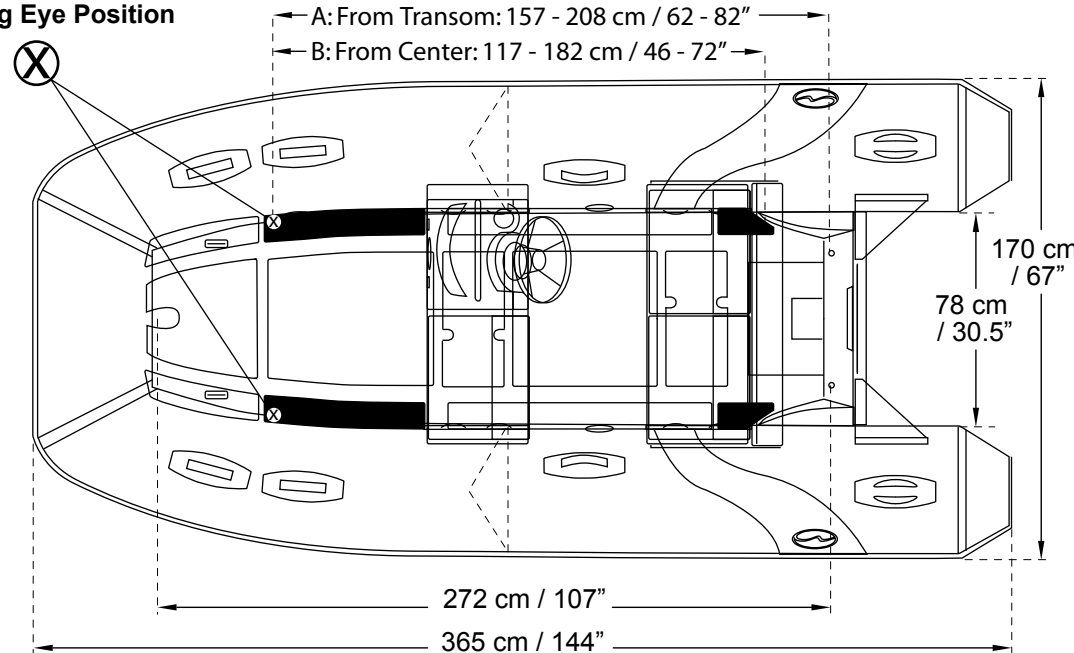


### Distance Between Transom Lifting Eyes



### Recommended Forward Lifting Eye Position

### Reinforced Lifting Point Range



### Lifting Point Installation

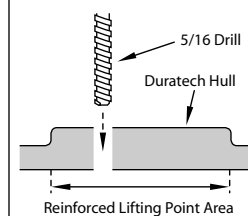
#### Reinforced Lifting Point Areas

Reinforced lifting point areas provide a range between lifting points so they can be aligned with davit lifting arms. They can also be used to center the tender with stern of the mother vessel.

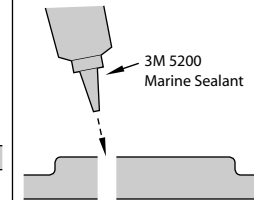
#### Recommended Forward Lifting Eye Location

We recommend installing forward lifting eyes in the furthest forward and outer area of the parts of the hull that are reinforced for lifting eye installation. This ensures the lifting eyes are clear of feet and gear.

① Drill through reinforced area of Duratech hull with 5/16" drill bit.



② Fill hole with 3M 5200 Marine Sealant.



③ Install lifting eye.

