


RECOMMENDED SEATING ARRANGEMENTS

⚠ WARNING

According to the American Boat and Yacht Council's standard H-28.5.1 recommended seating arrangement must be specified.

RISK OF FALLING OVERBOARD

Recommended seating positions are marked with this symbol: 

Add additional persons in the sequences of numbers shown.

Do not exceed maximum persons or weight capacity.

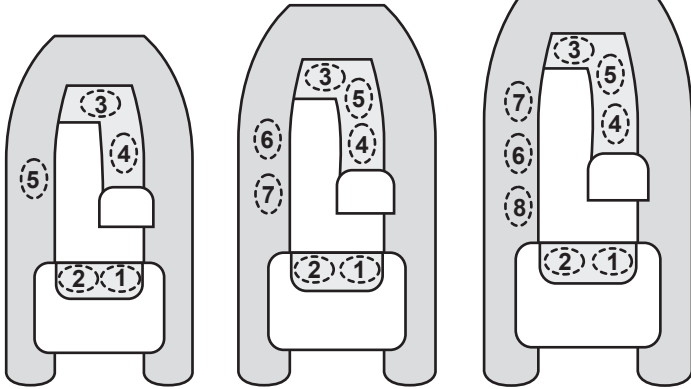
See Capacity Label located on boat's transom for maximum capacities.

Avoid sharp turns at high speeds. Sharp turns at high speeds may result in passengers falling overboard.

Distribute weight of persons and gear evenly throughout boat.

When sitting on inflatable tubes use hand holds provided on tubes.

Generation Console RIBs

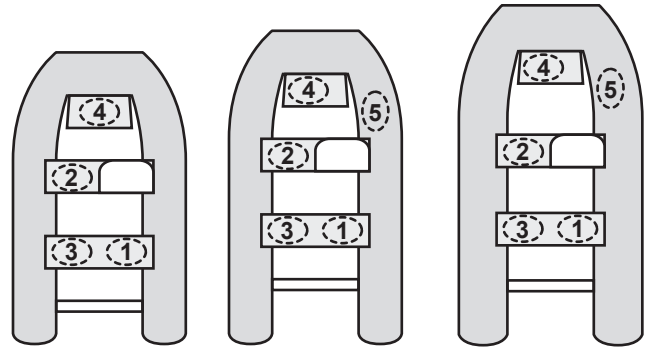


Generation 340 & 360

Generation 400

Generation 450

Genesis & Odyssey ST Console RIBs

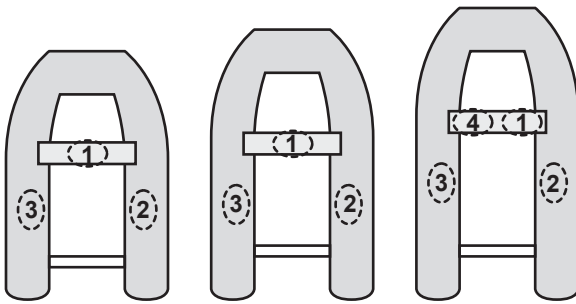


Genesis 310 Console

Genesis 340 & Odyssey 325ST Console

Odyssey 365ST Console

Odyssey Superlight & Odyssey Roll-ups

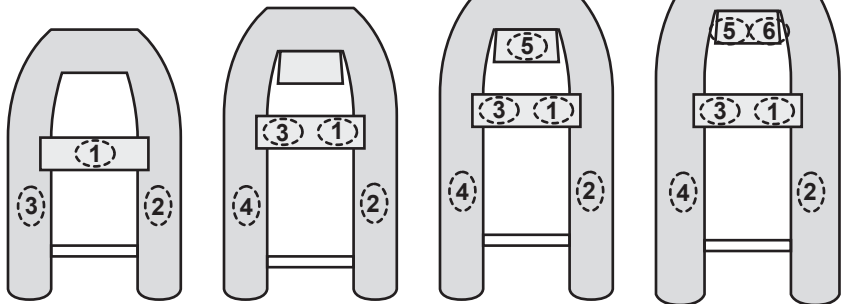


Odyssey 240

Odyssey 270

Odyssey 310

Genesis & Odyssey Super Tender RIBs



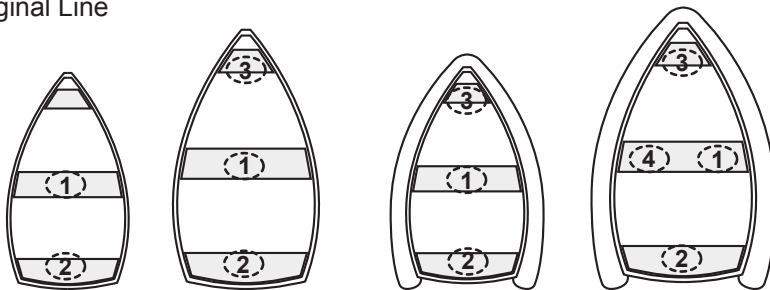
Genesis 270

Genesis 310

Genesis 340 & Odyssey 325ST

Odyssey 365ST Console

Original Line



WB8

WB10

275 RID

310 RID